



**LOCKLY™**

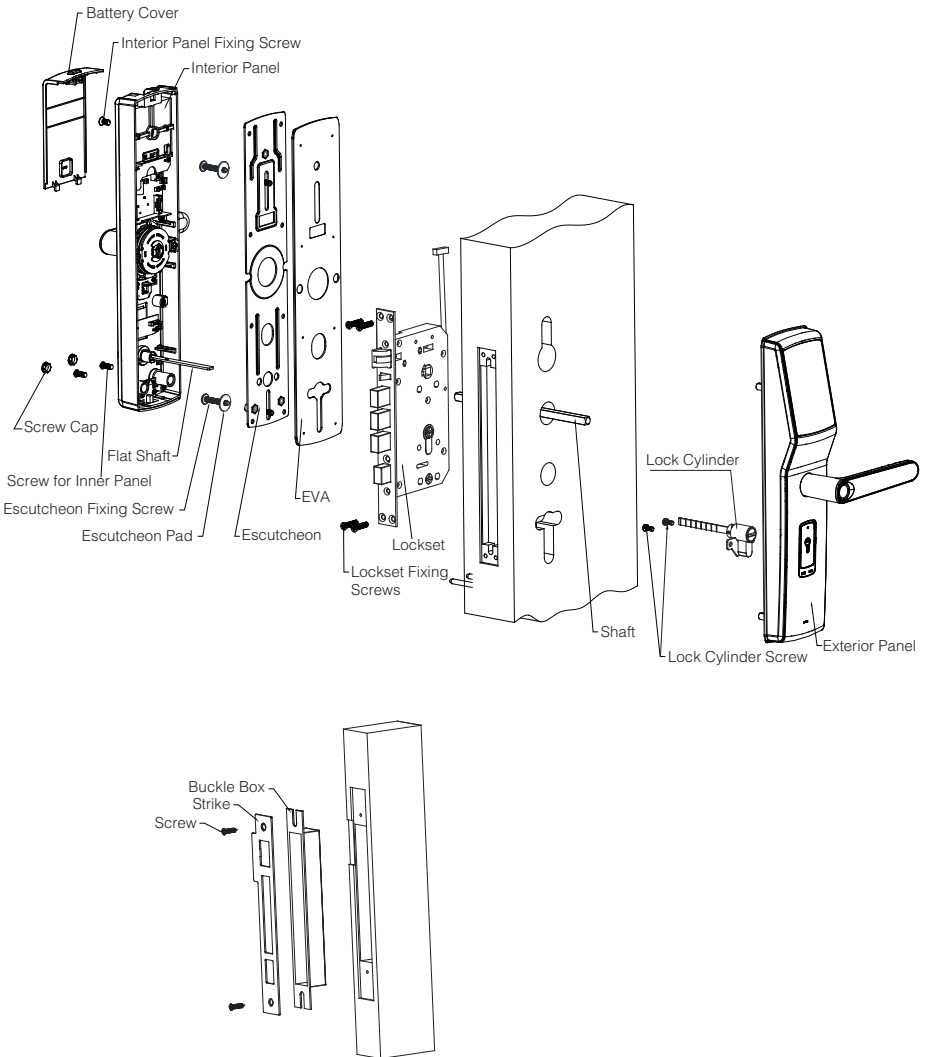
**MORTISE EDITION**

**SECURE**

**LUX MORTISE LOCK**

**INSTALLATION MANUAL**

# INSTALLATION OVERVIEW



Lockly™ Secure can be fitted for both right swing doors and left swing doors.

# PARTS LIST

## 50-60MM STANDARD DOOR THICKNESS



Strike (1)



Buckle Box (1)



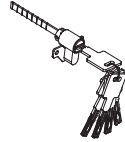
Turnable Flat Strip (1)

Cotter Pin hole is here  
when door thickness is  
larger than 70mm

Cotter Pin hole is here  
when door thickness is  
less than 70mm



Shaft (1)



Lock Cylinder (1)



Position Pad (2)



Screw for Lockset (4)



Strike Screw (2)



Screw Cap (2)



Escutcheon Screw Pad (2)



Screw for Inner Panel (2)



Interior Panel Screw (1)



Lock Cylinder Screw (2)



Positioning Sleeve (1)



Cotter Pin (1)



Stabilizing Screw (2)



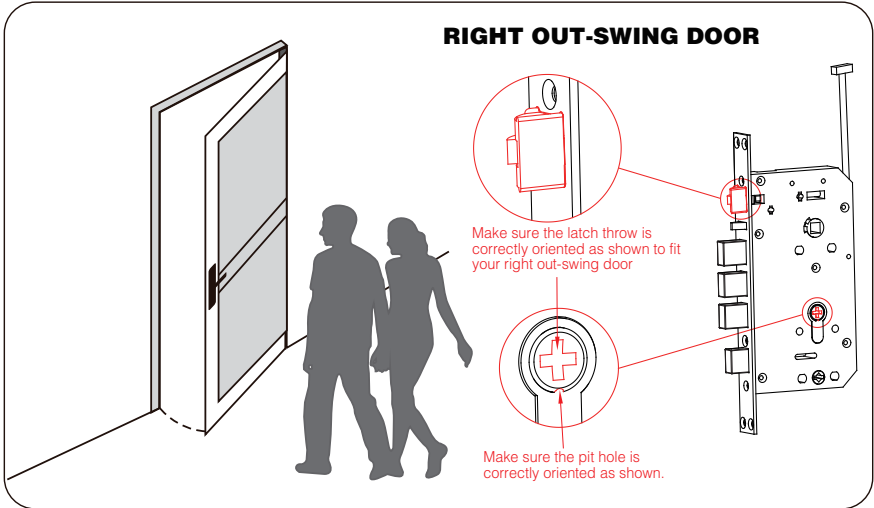
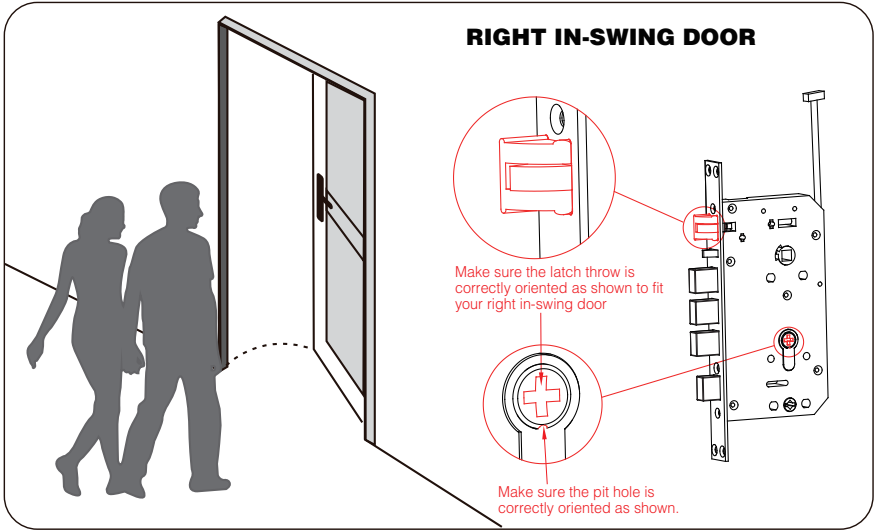
Screw for Exterior Panel (2)



Wrench(X1)

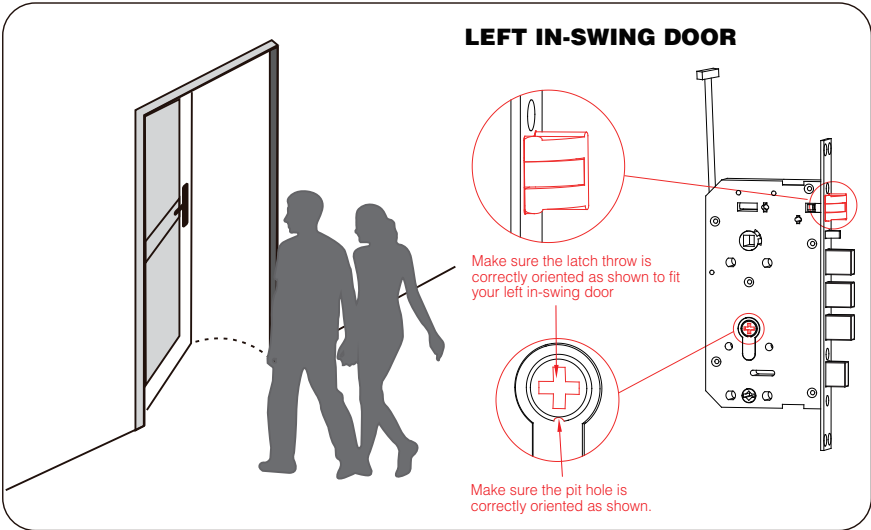
# KNOW YOUR DOOR

There are 4 common door-opening directions, the lockset configuration as shown on each diagram below corresponds to the respective door-opening direction.

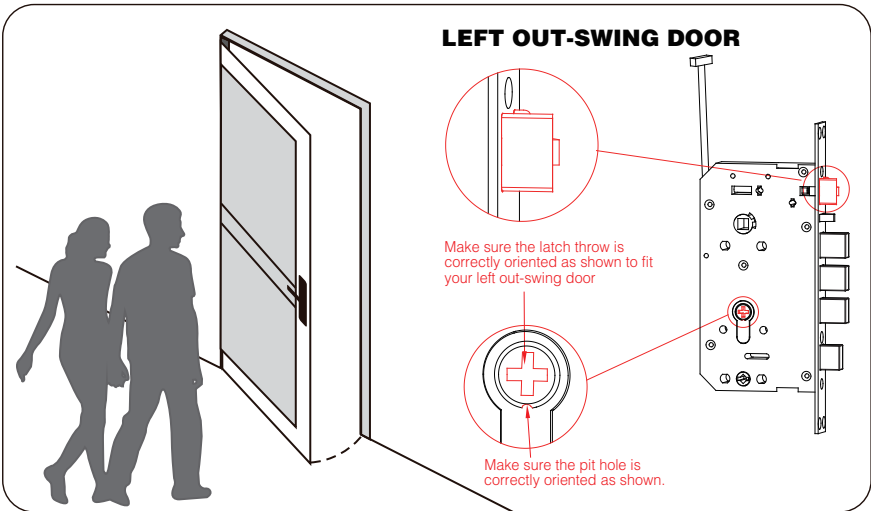


# KNOW YOUR DOOR

## LEFT IN-SWING DOOR



## LEFT OUT-SWING DOOR



### IMPORTANT NOTICE

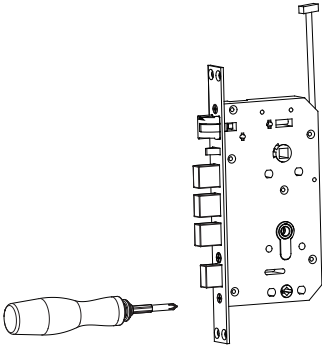
- This lock is suitable for wooden doors and steel doors with a thickness of 40~120mm.
- First you must identify the opening direction of your door before installation.
- Adjust the direction of the corresponding lockset to fit your door with the exterior and interior panels.

**Follow the steps on the next pages to adjust your latch throw, cylinder and door handle.**

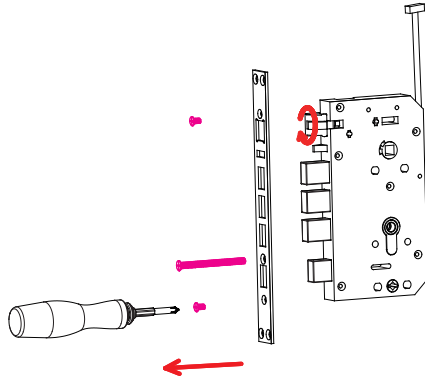
## HOW TO ADJUST THE LATCH THROW

Here is how to change the latch throw direction. The factory setting of the throw is for right in-swing door. You do not need to change direction if you have a right in-swing door.

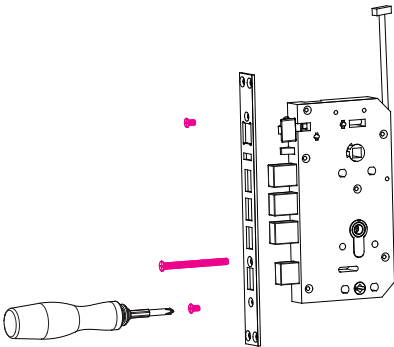
1. You need a Phillips screwdriver.



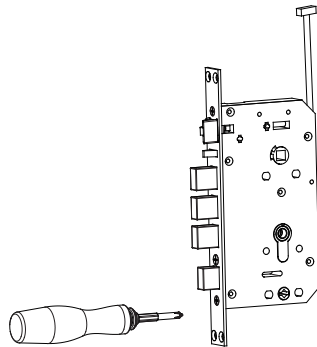
2. Unscrew the strike plate then turn the latch throw by 180 degree.



3. Turn the latch throw by 180 degree.



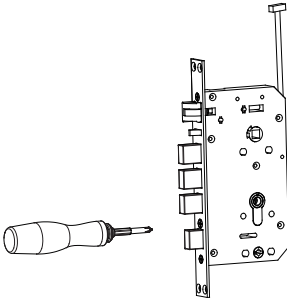
4. Fix the strike plate with mounting screws.



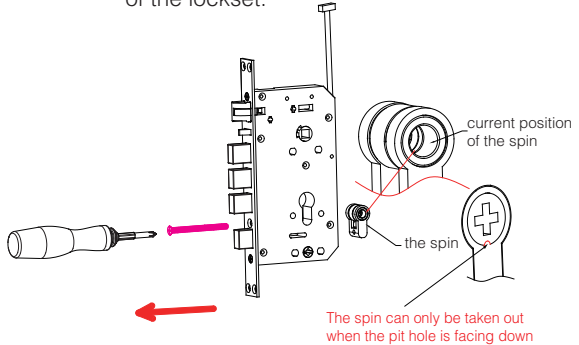
## HOW TO ADJUST THE CYLINDER

Here is how to change the cylinder direction. The factory setting of the cylinder is for right in-swing door. You do not need to change direction if you have a right in-swing door.

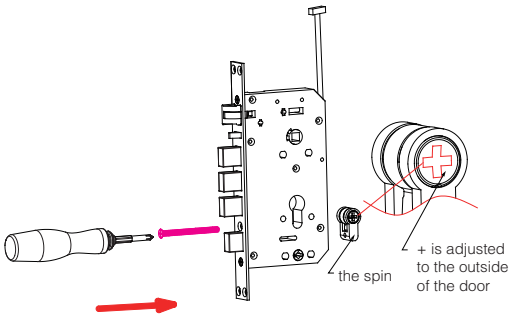
1. You need a Phillips screwdriver.



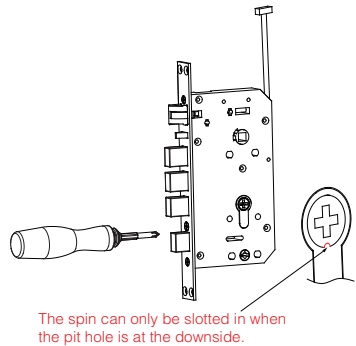
2. Unscrew the strike plate and take out the spin as shown then turn it to the reverse side of the lockset.



3. You must have the cross slot of the spin facing this side.

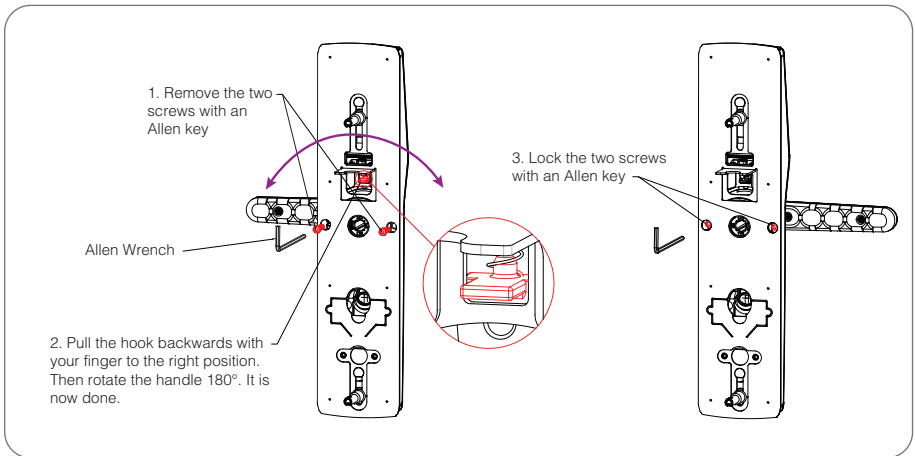


4. Fix the strike plate with mounting screws.



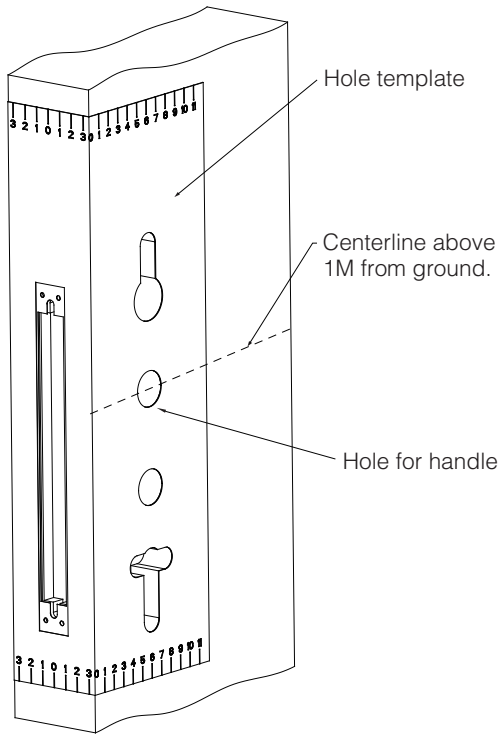
## HOW TO ADJUST THE DOOR HANDLE

\*The diagram below shows how to shift the door handle from right to left direction. The factory setting of the handle is for right handed door. You do not need to change direction if you have a right handed door.



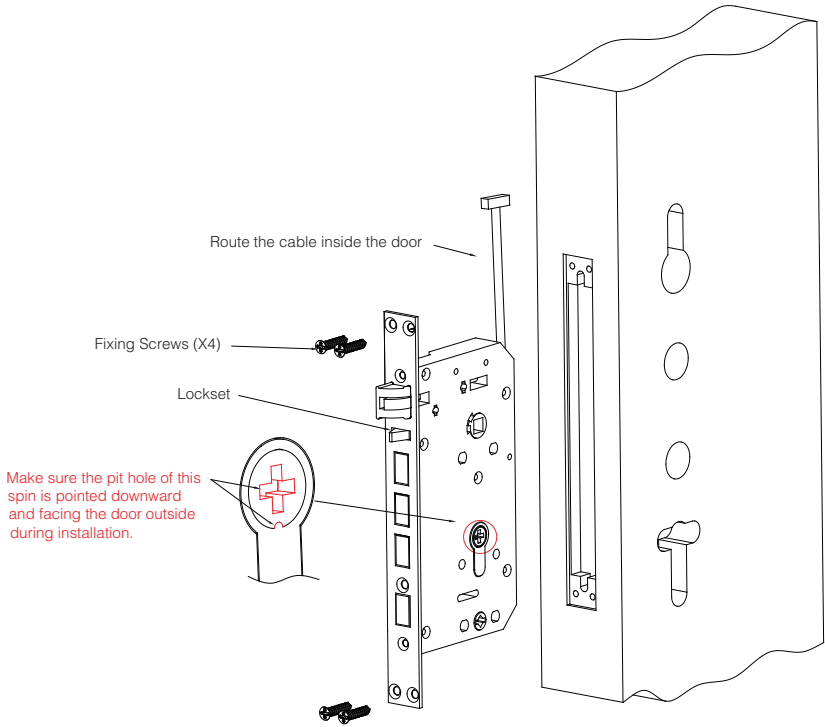


# STEP 1: PREPARING YOUR DOOR



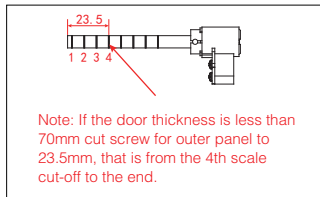
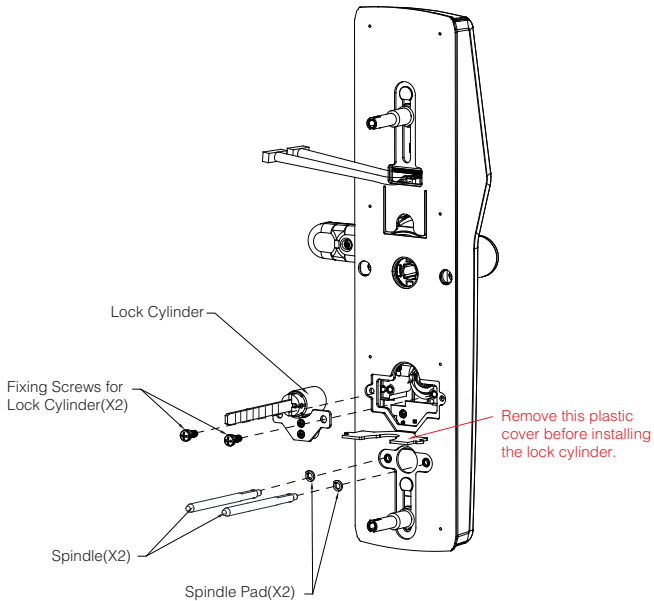
Make sure your door is prepared for installation. You may need to drill a new hole. Please use the supplied template for drilling holes required before installation. You will need some tools or a hole-saw.

## STEP 2: INSTALLING THE LOCKSET



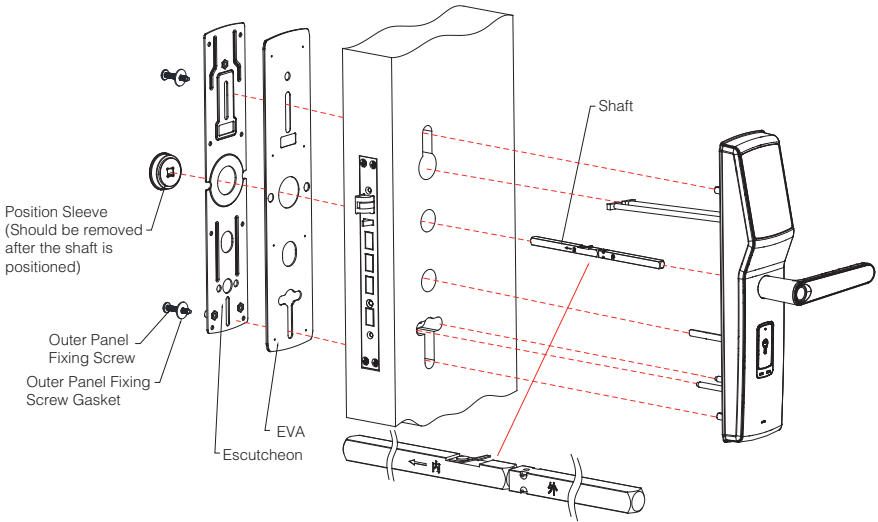
Install the mortise lockset into door pocket and tighten it with the 4 screws supplied. Route the cable inside the door pocket and place it aside.

### STEP 3. INSTALLING THE LOCK CYLINDER AND THE SPINDLE



Make sure the lock cylinder is aligned with the door holes then fix it with 2 screws to the exterior panel. Consequently fix the two spindles and the spindle pads as shown with pliers.

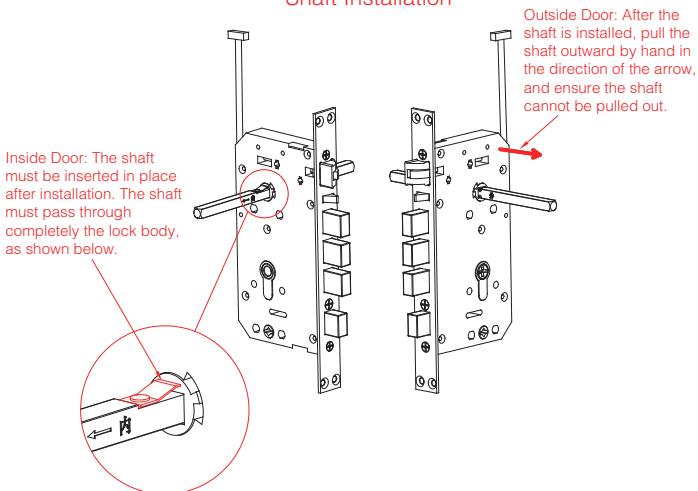
## STEP 4. INSTALLING THE EXTERIOR PANEL



**Note: This shaft needs to be inserted through the outer part of the door**

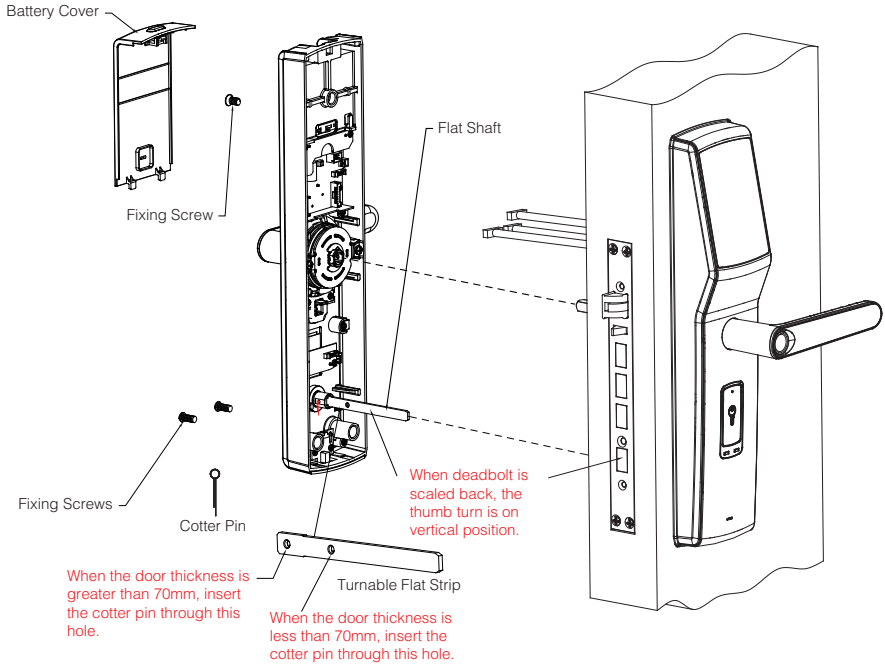
- 4.1** Insert the square shaft through the exterior panel. Cut the shaft according to the door thickness. Then install the exterior panel, shaft, EVA and the escutcheon in place.
- 4.2** Route both the lockset and exterior panel cables through the corresponding holes then insert the positioning sleeve into the inner side of the square shaft. Make sure they are all aligned and correctly oriented.
- 4.3** Check both inner and outer handles if they are in smooth operation. Then check if the locking and unlocking operations are smooth. If not, adjust the mounting screws until the the operation is running smooth. See illustration as shown below:

### Shaft Installation



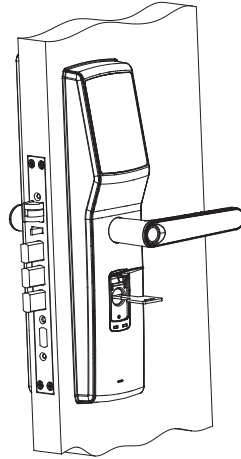
## STEP 5 . INSTALLING THE INTERIOR PANEL

Remove and discard the positioning sleeve then insert both lock cables to the corresponding socket of the interior panel. Insert the cotter pin to the flat shaft. See notes as illustrated in the diagram. Then insert the flat shaft to the corresponding holes and tighten with screws provided.

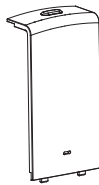
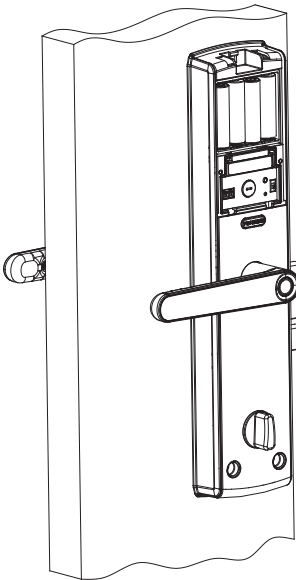


## STEP 6. FINAL CHECK

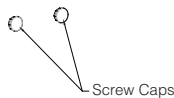
After installation is completed, lift both the interior and exterior handles up and down making sure they are running smoothly. Then check if the deadbolt and strike plate is thrown smoothly with the physical keys.



## STEP 7. INSTALLING BATTERIES



Check the functions of the lock per user manual after installing the batteries. Make sure the batteries are correctly positioned. Then close the battery cover.

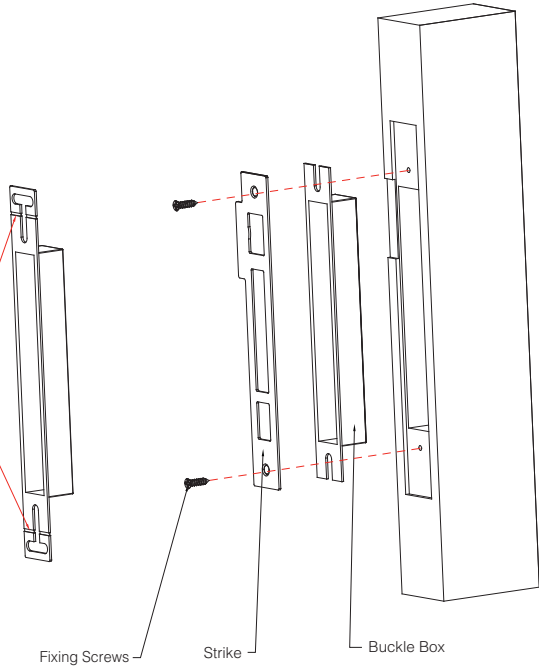


Screw Caps

## STEP 8. PREPARING THE DOOR FRAME AND MOUNTING PLATE

Install the buckle box as shown below. Open the door frame, install buckle box, then the strike plate and fix it with screws.

When installing to a wooden door, cut the buckle box as shown. No need to cut when you have a metal door.





For an online version of this installation guide and videos, visit:

**<http://lockly.com/help>**